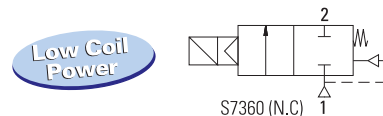


### GENERAL FEATURES

- **TORK series S7360 (N.C) diaphragm explosion proof solenoid valves are 2/2 way normally closed and pilot operated and have small-compact body size.**
- **Explosion proof solenoid valves for use in zone 1 and zone 2**
- **Low coil power (4.5 to 5 W for DC, 3.8 to 5.5 VA form AC) and current**
- **Suitable for non-aggressive liquids (water, light oil (2E) etc...), gaseous fluids (air, inert gases, natural gases etc...)**
- **On request Atex coil**
- Working Temperature: -10°C / +80°C
- Not suitable for use with dangerous fluids listed in Group 1
- **Minimum operating differential pressure 0,35 bar**
- Compact and low weight valve enabling easy and quick installation
- High reliability, quality and performance; long life, corrosion resistance
- Wide pressure ratings, range of flow rate and orifice options
- On request; manual override
- Ideal for the automatic control of media in a wide range of applications.
- TORK solenoid valves satisfy relevant 97/23/EC, Pressure Equipment Directive (PED) and 2006/95/EEC Low Voltage Directive (LVD)
- Coils interchangeable
- Flow factor Kv of each valve is indicated, so that the flow Q can be calculated as a function of pressure
- Solenoid valves must be used with filtered fluids.
- Solenoid valve can be mounted in any position without affecting operation; vertical with coil upwards preferred.
- Standard pipe connection is G (BSP) (ISO 228-1) and on request; other pipe connections are available (NPT (ANSI 1.20.3))

### Normally Closed



### ELECTRICAL CHARACTERISTICS

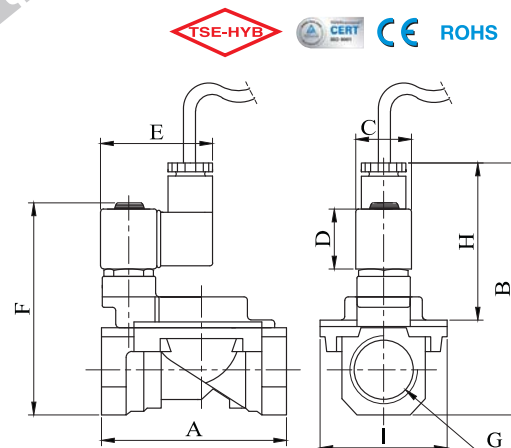
- Continuous Duty : ED %100  
 Coil Insulation Class : H (180°C)  
 Coil Impregnation : Fiber Glass Reinforced or PP-V0 (Self-Extinguishing Polypropylene)  
 Coil Encapsulation Material : Fiber Glass Reinforced or PP-V0 (Self-Extinguishing Polypropylene)  
 Explosionproof operator, intended for use in potentially explosive atmospheres  
 Easy electrical installation by means of the cable, standard length 3 meters
- Safety mode : EEx em II T4/T5 (Max Surface Temperature: 100°C -135°C, em: encapsulation increased safety, II: Equipment group)
- Protection Degree : IP 65 (EN 60529) with coil duly fitted with the plug connector  
 Electrical Safety : IEC 335  
 Standard Voltages : For AC 12V, 24V, 48V, 110V, 230V  
 For DC 12V, 24V, 48V, 110 V
- Other voltages on request;  
 Voltage Tolerances : For AC -15%; +10%, For DC -5%; +10%  
 Frequency : 50 Hz , other frequencies on request; (60 Hz)  
 Specify coil voltage with order

### MATERIALS IN CONTACT WITH FLUID

- Body : Brass  
 Internal Parts : Stainless Steel and brass  
 Sealing : NBR  
 Shading Ring : Copper  
 Seats : Brass  
 Core Tube : Brass  
 Springs : Stainless Steel  
 On request; nickel plated body  
 On request; sealing can be EPDM

### TECHNICAL FEATURES

- Max Viscosity : 5°E (~37cSt or mm<sup>2</sup>/s)  
 Response Time : Opening Time: 400 ms to ~ 1600 ms , Closing Time : 1000 ms to ~ 2000 ms  
 Maximum Allowable Pressure: 20 bar  
 Fluid Temperature, for EPDM from -10°C; +140°C



Dimensions (mm)

	G	A	B	C	D	E	F	I	H
3/8"	57,8	98	20,9	29	60	83	43	64,1	
1/2"	58	98	20,9	29	60	83	43	64,1	
3/4"	63	105	20,9	29	60	83	43	64,1	
1"	69	112	20,9	29	60	83	43	64,1	

Valve Type / Order no	Connection Size	Orifice size	Pressure max		KV	Fluid Temperature		Seal	Weight
			min	max		min	max		
<b>S7360</b>	<b>G</b>	<b>mm</b>	<b>bar</b>	<b>bar</b>	<b>lt/min</b>	<b>°C</b>			<b>(kg)</b>
S 7 3 6 0 . 0 2	3/8"	12	0.35	12	40	-10	80	NBR	0.55
S 7 3 6 0 . 0 3	1/2"	12	0.35	12	58	-10	80	NBR	0.53
S 7 3 6 0 . 0 4	3/4"	15	0.35	12	75	-10	80	NBR	0.73
S 7 3 6 0 . 0 5	1"	15	0.35	12	90	-10	80	NBR	0.93

### Useful Informations

1 bar: 14,5 PSI: 10 mH<sub>2</sub>O: 10 N/cm<sup>2</sup>: 1 kg/cm<sup>2</sup>: 100000 Pa , 1 PSI: 69 mbar, 1 m<sup>3</sup>/h: 4,405 GPM: 16,7 L/d 1 Gallon / minute: 0,227 m<sup>3</sup>/h, 0°C: 89,6 F  
 Sealings: NBR: Nitrile-Butylene Elastomer , EPDM: Ethylene-Propylene Elastomer